



 PriceList

LV- Power Quality Products and Equipments

With effect from January 15th, 2026



Power Factor Correction Products	5
EasyLogic™ PFC+ Capacitor	5
Can (Cylindrical) Type 440V Capacitors.....	7
Box (Square) Type 440V Capacitors.....	8
Detuned Filter Application Capacitors.....	9-11
VarPlus MAX Detuned Reactors	12
PFC - Detuned Reactors	13
Detuned Reactor 440V Range.....	13
Introducing VarPlus MAX Copper Wound Reactors	14
Copper Wound Detuned Reactor	15
Copper Wound Detuned Reactor 440V Range.....	15
VarPlus Logic APFC relay	16
Power Factor Correction Products.....	17
APFC Relays.....	17
PowerLogic Accusine PCSP & PCSn.....	18
PowerLogic Accusine EVCP	19
Active Harmonic Filtering Solutions.....	20
PowerLogic Accusine PCSP & PCSn.....	20
PowerLogic Accusine EVCP	20
EasyLogic™ APF	21
EasyLogic™ SVG.....	22
EasyLogic™ APF	23
EasyLogic™ SVG.....	23
Digitize your power factor correction	24
Power Factor Correction Equipment.....	26-27



Discover How You Can Save Approximately 150kg CO₂ Per kVA With Smart Power Factor Correction

Premium low voltage power factor correction capacitors

With 30% size optimization and 120k lifetime hours, ensure easy installation and easy maintenance. Equip yourself with easy quality assurance with 60% more continuous current-carrying capacity while also **enabling easy savings with our 100% commitment to testing and easy combinations with 30% energy wastage reduction.**

Now, ensure reliability and safety in **Buildings, Industries, Residential buildings, OEMs, and Energy Infrastructures.**



EasyLogic™ PFC+ **New**

Power Factor Correction Products



Capacitor for Heavy Duty application in Easy Range

- **Rated Voltage:** 480 and 525, 50/60Hz
- **Standard compliances:** IEC 60831 part 1 & 2, IS13340 Part 1-2, BIS certification, ASTA certified
- **Green Premium:** Compliant
- **Reliability:** Specially designed di-electric with Soft resin as coolant, the combination provides it extra reliability and extended working hours
- **Size Optimization:** This optimized design and compact size helps to save the panel space while its lower weight contributes to user experience during installation

EasyLogic™ PFC+ Capacitor

Description	kVAr Rating	Reference	Unit MRP [₹]
EasyLogic™ PFC+			
MPP-EasyLogic™ H Duty Can 3Ph 50Hz 480V	14.4	MEHVCPDY144A48	9375
MPP-EasyLogic™ H Duty Can 3Ph 50Hz 480V	28.1	MEHVCPDY281A48	18192
MPP-EasyLogic™ H Duty Can 3Ph 50Hz 525V	12.5	MEHVCPDY125A52	8135
MPP-EasyLogic™ H Duty Can 3Ph 50Hz 525V	20.6	MEHVCPDY206A52	13405
MPP-EasyLogic™ H Duty Can 3Ph 50Hz 525V	25	MEHVCPDY250A52	16201
MPP-EasyLogic™ H Duty Can 3Ph 50Hz 525V	30.6	MEHVCPDY306A52	19920
MPP-EasyLogic™ H Duty Can 3Ph 50Hz 525V	33.1	MEHVCPDY331A52	21529



VarPlus Box Xtreme

Built to perform in Xtreme conditions

- Designed for 60°C, offers upto 60% more life than products designed at 55°C
- Tested to perform upto 150,000 hrs life in standard operating conditions
- Xtreme inrush withstand of upto 350 x In
- Designed to work in Xtreme environments



se.com/in

Power Factor Correction Products



VarPlus Can

- **Performance:** High performance and flexibility
- **Offer configuration:** Available in three configurations as FastOn, Clampbite and Stud Offer
- **Product range:** 1-50 kvar from 440V-525V
- **Product compliance:** IEC 60831 Part 1-2014 and 2 -2014 compliant, **BIS Certified**, CE, CQC, UL, ASTA, Rohs and Green Premium
- **Type tested:** From LCIE France and ASTA Intertek
- **Temperature class:** Class D (+55°C for VarPlus Can)
- **Reliability:** Self healing, unique 3-phase disconnection mechanism with pressure sensitive disconnection (PSD)
- **Safety:** Tamper-proof discharge resistor, IP20 for FastOn and Clampbite offer
- **Robust design:** Al Can for casing, hermetically sealed, resin as coolant - better than gas
- **Enhanced life:** 130K hours with better current handling capacity due to wave cut films with slope metalization

Can (Cylindrical) Type 440V Capacitors

Description	kVAr Rating	Reference	Unit MRP [₹]
EasyCan (S Duty) 440V Range			
MPP - Standard Duty Can 3Ph 2kVAr 440V 50Hz	2	MEHVCS DY020A44	1325
MPP - Standard Duty Can 3Ph 3kVAr 440V 50Hz	3	MEHVCS DY030A44	1990
MPP - Standard Duty Can 3Ph 4kVAr 440V 50Hz	4	MEHVCS DY040A44	2654
MPP - Standard Duty Can 3Ph 5kVAr 440V 50Hz	5	MEHVCS DY050A44	2716
MPP - Standard Duty Can 3Ph 7.5kVAr 440V 50Hz	7.5	MEHVCS DY075A44	3801
MPP - Standard Duty Can 3Ph 10kVAr 440V 50Hz	10	MEHVCS DY100A44	4441
MPP - Standard Duty Can 3Ph 15kVAr 440V 50Hz	15	MEHVCS DY150A44	6652
MPP - Standard Duty Can 3Ph 20kVAr 440V 50Hz	20	MEHVCS DY200A44	8871
MPP - Standard Duty Can 3Ph 25kVAr 440V 50Hz	25	MEHVCS DY250A44	11092
VarPlus Can (H Duty) 440V Range			
MPP - Heavy Duty Can 3Ph 1kVAr 440V 50Hz	1	MEHVCHDY010A44	1186
MPP - Heavy Duty Can 3Ph 2kVAr 440V 50Hz	2	MEHVCHDY020A44	1860
MPP - Heavy Duty Can 3Ph 3kVAr 440V 50Hz	3	MEHVCHDY030A44	2793
MPP - Heavy Duty Can 3Ph 4kVAr 440V 50Hz	4	MEHVCHDY040A44	3720
MPP - Heavy Duty Can 3Ph 5kVAr 440V 50Hz	5	MEHVCHDY050A44	3862
MPP - Heavy Duty Can 3Ph 7.5kVAr 440V 50Hz	7.5	MEHVCHDY075A44	5661
MPP - Heavy Duty Can 3Ph 10kVAr 440V 50Hz	10	MEHVCHDY100A44	7046
MPP - Heavy Duty Can 3Ph 12.5kVAr 440V 50Hz	12.5	MEHVCHDY125A44	8848
MPP - Heavy Duty Can 3Ph 15kVAr 440V 50Hz	15	MEHVCHDY150A44	10565
MPP - Heavy Duty Can 3Ph 20kVAr 440V 50Hz	20	MEHVCHDY200A44	14090
MPP - Heavy Duty Can 3Ph 25kVAr 440V 50Hz	25	MEHVCHDY250A44	17609
MPP - Heavy Duty Can 3Ph 30kVAr 440V 50Hz	30	MEHVCHDY300A44	21231
MPP - Heavy Duty Can 3Ph 40kVAr 440V 50Hz(Single unit with IP00)	40	MEHVCHDY400A44	27578
MPP - Heavy Duty Can 3Ph 50kVAr 440V 50Hz(Single unit with IP00)	50	MEHVCHDY500A44	34313
VarPlus Can (GH Duty) 440V Range			
MPP - Standard Duty Can 3Ph 1kVAr 440V 50Hz	5	MEHVCGSF050A44	3909
MPP - Standard Duty Can 3Ph 2kVAr 440V 50Hz	7.5	MEHVCGSF075A44	5859
MPP - Standard Duty Can 3Ph 3kVAr 440V 50Hz	10	MEHVCGSF100A44	7226
MPP - Standard Duty Can 3Ph 4kVAr 440V 50Hz	12.5	MEHVCGSF125A44	9029
MPP - Standard Duty Can 3Ph 5kVAr 440V 50Hz	15	MEHVCGSF150A44	10830
MPP - Standard Duty Can 3Ph 7.5kVAr 440V 50Hz	20	MEHVCGSF200A44	14429
MPP - Standard Duty Can 3Ph 10kVAr 440V 50Hz	25	MEHVCGSF250A44	18054
MPP - Standard Duty Can 3Ph 20kVAr 440V 50Hz	50	MEHVCGSF500A44	35037

Power Factor Correction Products



VarPlus Box

- **Performance:** High performance and flexibility
- **Product range:** 5-50 kvar from 440V-525V
- **Product compliance:** IEC 60831 Part 1-2014 and 2 -2014 compliant, **BIS Certified**, CE, CQC, UL, ASTA, Rohs and Green Premium
- **Type tested:** From LCIE France and ASTA Intertek
- **Temperature class:** +50°C for VarPlus Box APP, Class D (60°C for VarPlus Xtreme Box, 70°C for MD-XL)
- **Reliability:** Self healing, unique 3-phase disconnection mechanism with pressure sensitive disconnection (PSD)
- **Robust design:** Steel enclosure, resin as coolant - better than gas
- **Enhanced life:** 150K hours with better current handling capacity due to wave cut films with slope metalization

Box (Square) Type 440V Capacitors

Description	kVAr Rating	Reference	Unit MRP [₹]
VarPlus Box APP 440V Range			
APP - Box 3Ph 5kVAr 440V 50Hz	5	MEHVBAPP050A44	6915
APP - Box 3Ph 10kVAr 440V 50Hz	10	MEHVBAPP100A44	12135
APP - Box 3Ph 15kVAr 440V 50Hz	15	MEHVBAPP150A44	18209
APP - Box 3Ph 20kVAr 440V 50Hz	20	MEHVBAPP200A44	24277
APP - Box 3Ph 25kVAr 440V 50Hz	25	MEHVBAPP250A44	30349
APP - Box 3Ph 30kVAr 440V 50Hz	30	MEHVBAPP300A44	36482

Power Factor Correction Products



Detuned Filter Application Capacitors

Description	kVAr Rating	Reference	Unit MRP [₹]
*Capacitors for 7%/5.7% , 440V Detuned Filter Application			
VarPlus Can (H Duty) 480V Range			
MPP - Heavy Duty Can 3Ph 5.6kVAr 480V 50Hz	5.6	MEHVCHDY056A48	4224
MPP - Heavy Duty Can 3Ph 11.3kVAr 480V 50Hz	11.3	MEHVCHDY113A48	7988
MPP - Heavy Duty Can 3Ph 12.5kVAr 480V 50Hz	12.5	MEHVCHDY125A48	8839
MPP - Heavy Duty Can 3Ph 14.4kVAr 480V 50Hz	14.4	MEHVCHDY144A48	10190
MPP - Heavy Duty Can 3Ph 15.5kVAr 480V 50Hz	15.5	MEHVCHDY155A48	10967
MPP - Heavy Duty Can 3Ph 17kVAr 480V 50Hz	17	MEHVCHDY170A48	12033
MPP - Heavy Duty Can 3Ph 22.4kVAr 480V 50Hz	22.4	MEHVCHDY224A48	15852
MPP - Heavy Duty Can 3Ph 25kVAr 480V 50Hz	25	MEHVCHDY250A48	17695
MPP - Heavy Duty Can 3Ph 28.1kVAr 480V 50Hz	28.1	MEHVCHDY281A48	19774
MPP - Heavy Duty Can 3Ph 31.5kVAr 480V 50Hz	31.5	MEHVCHDY315A48	22274
VarPlus Can (GH Duty) 480V Range			
MPP - GasHeavy Duty Can 3Ph 11.3kVAr 480V 50Hz	11.3	MEHVCGSF113A48	8157
MPP - GasHeavy Duty Can 3Ph 22.4kVAr 480V 50Hz	22.4	MEHVCGSF224A48	16168
MPP - GasHeavy Duty Can 3Ph 25kVAr 480V 50Hz	25	MEHVCGSF250A48	18045
MPP - GasHeavy Duty Can 3Ph 28.1kVAr 480V 50Hz	28.1	MEHVCGSF281A48	20358
MPP - GasHeavy Duty Can 3Ph 31.5kVAr 480V 50Hz	31.5	MEHVCGSF315A48	22821

Power Factor Correction Products



Detuned Filter Application Capacitors

Description	kVAr Rating	Reference	Unit MRP [₹]
VarPlus Box APP 480V Range			
APP - Box 3Ph 11.3kVAr 480V 50Hz	11.3	MEHVBAPP113A48	13737
APP - Box 3Ph 14.4kVAr 480V 50Hz	14.4	MEHVBAPP144A48	17505
APP - Box 3Ph 22.4kVAr 480V 50Hz	22.4	MEHVBAPP224A48	27262
APP - Box 3Ph 25kVAr 480V 50Hz	25	MEHVBAPP250A48	30353
APP - Box 3Ph 28.1kVAr 480V 50Hz	28.1	MEHVBAPP281A48	34114
APP - Box 3Ph 31.5kVAr 480V 50Hz	31.5	MEHVBAPP315A48	38245
*Capacitors for 7%/ 5.7%/ 14%, 440V Filter Application			
VarPlus Can (H Duty) 525V Range			
MPP - Heavy Duty Can 3Ph 6.9kVAr 525V 50Hz	6.9	MEHVCHDY069A52	5211
MPP - Heavy Duty Can 3Ph 12.5kVAr 525V 50Hz	12.5	MEHVCHDY125A52	8843
MPP - Heavy Duty Can 3Ph 13.8kVAr 525V 50Hz	13.8	MEHVCHDY138A52	9764
MPP - Heavy Duty Can 3Ph 15.4kVAr 525V 50Hz	15.4	MEHVCHDY154A52	10892
MPP - Heavy Duty Can 3Ph 20.6kVAr 525V 50Hz	20.6	MEHVCHDY206A52	14570
MPP - Heavy Duty Can 3Ph 25kVAr 525V 50Hz	25	MEHVCHDY250A52	17609
MPP - Heavy Duty Can 3Ph 27.5kVAr 525V 50Hz	27.5	MEHVCHDY275A52	19461
MPP - Heavy Duty Can 3Ph 30.6kVAr 525V 50Hz	30.6	MEHVCHDY306A52	21652
MPP - Heavy Duty Can 3Ph 33.1kVAr 525V 50Hz	33.1	MEHVCHDY331A52	23400
MPP - Heavy Duty Can 3Ph 37.7kVAr 525V 50Hz	37.7	MEHVCHDY377A52	26649
VarPlus Can (GH Duty) 525V Range			
MPP - Heavy Duty Can 3Ph 6.9kVAr 525V 50Hz	6.9	MEHVCHDY069A52	5211
MPP - Heavy Duty Can 3Ph 12.5kVAr 525V 50Hz	12.5	MEHVCHDY125A52	8843
MPP - Heavy Duty Can 3Ph 13.8kVAr 525V 50Hz	13.8	MEHVCHDY138A52	9764
MPP - Heavy Duty Can 3Ph 15.4kVAr 525V 50Hz	15.4	MEHVCHDY154A52	10892
MPP - Heavy Duty Can 3Ph 20.6kVAr 525V 50Hz	20.6	MEHVCHDY206A52	14570

Power Factor Correction Products



Detuned Filter Application Capacitors

Description	kVAr Rating	Reference	Unit MRP [₹]
VarPlus Box APP 525V Range			
APP - Box 3Ph 13.8kVAr 525V 50Hz	13.8	MEHVBAPP138A52	16746
APP - Box 3Ph 20.6kVAr 525V 50Hz	20.6	MEHVBAPP206A52	25012
APP - Box 3Ph 25kVAr 525V 50Hz	25	MEHVBAPP250A52	30358
APP - Box 3Ph 27.5kVAr 525V 50H	27.5	MEHVBAPP275A52	33391
APP - Box 3Ph 30.6kVAr 525V 50Hz	30.6	MEHVBAPP306A52	37171
APP - Box 3Ph 33.1kVAr 525V 50Hz	33.1	MEHVBAPP331A52	40187
APP - Box 3Ph 37.7kVAr 525V 50Hz	37.7	MEHVBAPP377A52	45794



VarPlus MAX Detuned Reactors

MAXimize Efficiency
MAXimize Savings



PFC - Detuned Reactors



VarPlus Max Detuned Reactor

- **Performance:** Designed to operate at a stringent harmonic spectrum as per IEEE 519
- **Offer configuration:** 6.5 - 100 kvar, 440V
- **Product range:** Single footprint from 6.5 - 100 kvar
- **Product compliance:** Compliant to IEC 60076-6
- **Type tested:** Certified by CPRI
- **Temperature class:** Class H for insulation $\leq 180^{\circ}\text{C}$
- **Reliability:** Conductor design, designed as per maximum permissible current (I_{mp})
- **Safety:** Built-in thermal protection

Detuned Reactor 440V Range

Description	kVAr Rating	Reference	Unit MRP [₹]
VarPlus MAX Detuned Reactor 5.7%, 440V Range			
VarPlus MAX AL Detuned reactor 25 kVAr 440V 5.7 % 50Hz	25	LVR05250A44LO	41027
VarPlus MAX AL Detuned reactor 50 kVAr 440V 5.7 % 50Hz	50	LVR05500A44LO	61385
VarPlus MAX AL Detuned reactor 100 kVAr 440V 5.7 % 50Hz	100	LVR05X00A44LO	122727
VarPlus MAX Detuned Reactor 7%, 440V Range			
VarPlus MAX AL Detuned reactor 5 kVAr 440V 7% 50Hz	5	LVR07050A44LO	17834
VarPlus MAX AL Detuned reactor 10 kVAr 440V 7% 50Hz	10	LVR07100A44LO	25773
VarPlus MAX AL Detuned reactor 12.5 kVAr 440V 7% 50Hz	12.5	LVR07125A44LO	29473
VarPlus MAX AL Detuned reactor 15 kVAr 440V 7% 50Hz	15	LVR07150A44LO	31251
VarPlus MAX AL Detuned reactor 20 kVAr 440V 7% 50Hz	20	LVR07200A44LO	33172
VarPlus MAX AL Detuned reactor 25 kVAr 440V 7% 50H	25	LVR07250A44LO	33183
VarPlus MAX AL Detuned reactor 50 kVAr 440V 7% 50Hz	50	LVR07500A44LO	51244
VarPlus MAX AL Detuned reactor 75 kVAr 440V 7% 50Hz	75	LVR07750A44LO	79925
VarPlus MAX AL Detuned reactor 100 kVAr 440V 7% 50Hz	100	LVR07X00A44LO	103527
VarPlus MAX Detuned Reactor 14%, 440V Range			
VarPlus MAX AL Detuned reactor 10 kVAr 440V 14 % 50Hz	10	LVR14100A44LO	27690
VarPlus MAX AL Detuned reactor 25 kVAr 440V 14 % 50Hz	25	LVR14250A44LO	50744
VarPlus MAX AL Detuned reactor 50 kVAr 440V 14 % 50Hz	50	LVR14500A44LO	84639
VarPlus MAX AL Detuned reactor 100 kVAr 440V 14 % 50Hz	100	LVR14X00A44LO	175030



Introducing VarPlus MAX Copper Wound Reactors



se.com/in

Copper Wound Detuned Reactor



VarPlus Max Copper Detuned Reactors

- **MAXimize your selection**
 - Wide range available in Copper windings.
- **MAXimize your OPEX optimization**
 - Up to 30% lower losses to reduce your OPEX
- **MAXimize your thermal efficiency**
 - Up to 20% lower working temperatures
- **MAXimize your operational efficiency**
 - Design current up to 1.3 x Rated Current
 - Saturation current limit up to 2.0 x Rated Current
 - Designed for Harsh environments (Maximum voltage harmonic limit up to 9%)

Copper Wound Detuned Reactor 440V Range

Description	kVAr Rating	Reference	Unit MRP [₹]
Varplus Copper Detuned Reactor 7%, 440V Range			
Detuned Reactor CU 5kVAr 440V 7% 50Hz	5	LVR07050A44CU	21724
Detuned Reactor CU 10kVAr 440V 7% 50Hz	10	LVR07100A44CU	35493
Detuned Reactor CU 12.5kVAr 440V 7% 50Hz	12.5	LVR07125A44CU	37745
Detuned Reactor CU 15kVAr 440V 7% 50Hz	15	LVR07150A44CU	43034
Detuned Reactor CU 20kVAr 440V 7% 50Hz	20	LVR07200A44CU	45680
Detuned Reactor CU 25kVAr 440V 7% 50Hz	25	LVR07250A44CU	52661
Detuned Reactor CU 50kVAr 440V 7% 50Hz	50	LVR07500A44CU	89563
Detuned Reactor CU 100kVAr 440V 7% 50Hz	100	LVR07X00A44CU	164489
Varplus Copper Detuned Reactor 14%, 440V Range			
Detuned Reactor CU 10kVAr 440V 14% 50Hz	10	LVR14100A44CU	43358
Detuned Reactor CU 25kVAr 440V 14% 50Hz	25	LVR14250A44CU	84344
Detuned Reactor CU 50kVAr 440V 14% 50Hz	50	LVR14500A44CU	140685



VarPlus Logic APFC relay



- Automatic Initialization & sequence detection
- Measurement of Step kVAr & THDv up to 19th
- RS485 port as default feature
- 4 Quadrant measurement
- Dual Cos phi settings for two source operation

se.com/in

Power Factor Correction Products



APFC Relays

Description	No. of Step	Reference	Unit MRP [₹]
Varlogic APFC Relays - Classic Range			
RT6, 6 step, 440V, 5A	6	51207	25923
RT8, 8 step, 440V, 5A	8	51209	33601
RT12, 12 step, 440V, 5A	12	51213	38983
VarPlus Logic APFC Relays - Advanced Range			
VPL06, 6 step LCD Display , 90V - 550V 50/60Hz 1A/5A with RS485	6	VPL06N	57749
VPL12, 12 step LCD Display , 90V - 550V 50/60Hz 1A/5A with RS485	12	VPL12N	62355



PowerLogic Accusine PCSP & PCSn

- All in one: Harmonics, PF, Load unbalance, Flicker
- 3ph/3wire & 3ph/4wire
- Fully selectable from 2nd to 51st order of harmonics
- Flexible CT connection: Load side/ source side
- Suitable to work in Harsh environment including marine application
- Product Certification & Design references: IEC 61439-1 & 2,® (UL508), CE Certified, ABS
- Fastest control response time of 25Micro second
- Connectable to power management software (EcoStruxure PME) - real time performance and temperature monitoring

Industry segment



Heavy Industry



Oil & Gas (on/off shore)



Marine



Water Wastewater



Processing plants



Mining

Infrastructure & Building segment



Airport



HVAC



Healthcare

se.com/in



PowerLogic Accusine EVCP

Step less electronic VAR compensation

- Stepless power factor correction
- Reduce current harmonics
- Designed for fast changing loads
- Product Certification & Design references: IEC 61439-1 & 2, (UL508), CE Certified, ABS
- Robust design: Design for 50 Degree° C without derating
- Connectable to power management software (EcoStruxure PME)- real time performance and temperature monitoring



Building segment



Heavy Industry



Retail space



Healthcare



Hotel & Casino



Life sciences & University



Datacenter Cloud Farm

Industry segment



Light Industry



Food & Beverage

se.com/in

Active Harmonic Filtering Solutions

PowerLogic Accusine PCSP & PCSn



- 3ph/3wire & 3ph/4wire
- From 380V - 480V (+10% to -15%)
- Parallel connection up to 10 units
- Harmonic cancellation spectrum from 2nd to 51st order of current harmonics
- Load balancing of source current
- DPF correction
- Can be used with PF capacitors as Hybrid VAR compensation (HVC) system

PowerLogic Accusine PCSP & PCSn

Description	Amperage	Reference	Unit MRP [₹]
PowerLogic™ PCS+			
PowerLogic™ PCS+ 60A 380V- 480V 50- 60Hz IP00	60	PCSP060D5IP00	On Request
PowerLogic™ PCS+ 120A 380V - 480V 50- 60Hz IP00	120	PCSP120D5IP00	On Request
PowerLogic™ PCS+ 200A 380V- 480V 50- 60Hz IP00	200	PCSP200D5IP00	On Request
PowerLogic™ PCS+ 300A 380V- 480V 50- 60Hz IP00	300	PCSP300D5IP00	On Request
PowerLogic™ PCS+ 60A 380V- 480V 50- 60Hz IP31	60	PCSP060D5IP31	On Request
PowerLogic™ PCS+ 120A 380V - 480V 50- 60Hz IP31	120	PCSP120D5IP31	On Request
PowerLogic™ PCS+ 200A 380V- 480V 50- 60Hz IP31	200	PCSP200D5IP31	On Request
PowerLogic™ PCS+ 300A 380V- 480V 50- 60Hz IP31	300	PCSP300D5IP31	On Request
PowerLogic™ PCS+ 60A 380V-480V 50- 60Hz IP54	60	PCSP060D5IP54	On Request
PowerLogic™ PCS+ 120A 380V-480V 50- 60Hz IP54	120	PCSP120D5IP54	On Request
PowerLogic™ PCS+ 200A 380V- 480V 50- 60Hz IP54	200	PCSP200D5IP54	On Request
PowerLogic™ PCS+ 300A 380V- 480V 50- 60Hz IP54	300	PCSP300D5IP54	On Request
PowerLogic™ PCSn 30A 208-415Vac 3ph+N chassis IP00	30	PCSN030Y4CH00	On Request
PowerLogic™ PCSn 60A 208-415Vac 3ph+N chassis IP00	60	PCSN060Y4CH00	On Request
PowerLogic™ PCSn 30A 208-415Vac 3ph+N wall mount IP20	30	PCSN030Y4W20	On Request
PowerLogic™ PCSn 60A 208-415Vac 3ph+N wall mount IP20	60	PCSN060Y4W20	On Request

Note: Active Harmonic Filter prices On Request

PowerLogic Accusine EVCP



- Withstand up to +50°C without derating
- QR code for quick access to supporting field documentation and digital logbook
- Connectivity-ready, Cybersecure, Seismically tested to 2.47g, Built-in EMC filter
- USB communications port
- Firmware upgrades
- Download commissioning report, diagnostic files
- Available with IP00, IP20 and IP31

PowerLogic™ EVC+

Description	Rating (kVAR)	Reference	Unit MRP [₹]
PowerLogic™ EVC+			
PowerLogic™ EVC+ 75kVAR 208-480V IP00 chassis	75	EVCP075D5CH00	On Request
PowerLogic™ EVC+ 75kVAR 208-480V IP20	75	EVCP075D5W20	On Request
PowerLogic™ EVC+ 75kVAR 208-480V IP31 WM	75	EVCP075D5W31	On Request
PowerLogic™ EVC+ 100kVAR 208-480V IP00	100	EVCP100D5CH00	On Request
PowerLogic™ EVC+ 100kVAR 208-480V IP20 WM	100	EVCP100D5W20	On Request
PowerLogic™ EVC+ 100kVAR 208-480V IP31 WM	100	EVCP100D5W31	On Request

Note: Active Harmonic Filter prices On Request



EasyLogic™ APF

• Compact • Economical • Scalable

- Stepless power factor correction
- Reduce current harmonics
- Correct network imbalance
- Designed for fast changing loads
- Fully certified
- Connectable to power management software (EcoStruxure PME) - real time performance and temperature monitoring



Building segment



Retail space



Healthcare



Hotel & Casino



Life sciences & University



Datacenter Cloud Farm

Industry segment



Light Industry



Food & Beverage

se.com/in

EasyLogic™ SVG



- Stepless PF compensation
- Harmonics mitigation upto 21st level
- Certified solution
- Reactive power compensation rate >99%

Building segment



Retail
space



Healthcare



Hotel &
Casino



Life sciences &
University



Datacenter
Cloud Farm

Industry segment



Light
Industry



Food &
Beverage

se.com/in

EasyLogic™ APF



- 3 Ph, 4 wire connection
- Parallel connection upto 12 units
- Total Harmonic compensation rate (Under rated working condition)>98%
- Load balancing of source current
- DPF correction
- Can be used with PF capacitors as Hybrid VAR compensation (HVC) system

EasyLogic™ APF

Description	Amperage	Reference	Unit MRP [₹]
EasyLogic™ APF New			
EasyLogic™ APF 50A 400V wall mount IP20	50	EZAPF05044W20	On Request
EasyLogic™ APF 100A 400V wall mount IP20	100	EZAPF10044W20	On Request
EasyLogic™ APF 150A 400V wall mount IP20	150	EZAPF15044W20	On Request
EasyLogic™ APF 100A 400V rack mount IP20	100	EZAPF10044R20N	On Request
EasyLogic™ APF 150A 400V rack mount IP20	150	EZAPF15044R20N	On Request
EasyLogic™ APF 7" HMI for rack and wall mount	-	EZAPF070HMIN	On Request

Note: Active Harmonic Filter prices On Request

EasyLogic™ SVG



- 3 Ph, 4 wire connection
- Parallel connection upto 12 units
- Load balancing of source current
- DPF correction
- Can be used with PF capacitors as Hybrid VAR compensation (HVC) system

EasyLogic™ SVG

Description	Rating (kVAr)	Reference	Unit MRP [₹]
EasyLogic™ APF New			
EasyLogic™ SVG 100kVAr 400V rack mount IP20	100	EZSVG10044R20	On Request
EasyLogic™ SVG 7" HMI for rack and wall mount	-	EZSVG070HMI	On Request

Note: Active Harmonic Filter prices On Request



Digitize your power factor correction

PowerLogic™ PFC Capacitor Bank

Every electrical network can benefit from power factor correction. It's the fastest way to save money and improve energy efficiency.

An EcoStruxure™-ready PowerLogic™ PFC capacitor bank solution provides industry-leading diagnostics and IoT connectivity for superior performance monitoring and optimized maintenance.

Energy efficiency

- Lower utility bills by avoiding power factor penalties, lowering demand charges
- Unlock extra system capacity to expand and serve additional loads
- Increase equipment performance and lifespan with improved voltage
- Reduce CO² emissions with improved power efficiency

Reliability and performance

- With smart controller, embedded environmental sensors and energy gateway server
- Notify when problems are detected or maintenance is needed
- Self-monitoring and ready to connect to any system

Built to the highest standards

- Save time and effort with easy capacitor bank configuration selection and installation
- Tested and certified according to IEC 61439-1 & 2 and IEC 61921
- Engineered for safety and advanced performance
- Robust enclosure system with heavy-duty capacitors and detuned reactors
- Optimized for remote monitoring and preventative maintenance



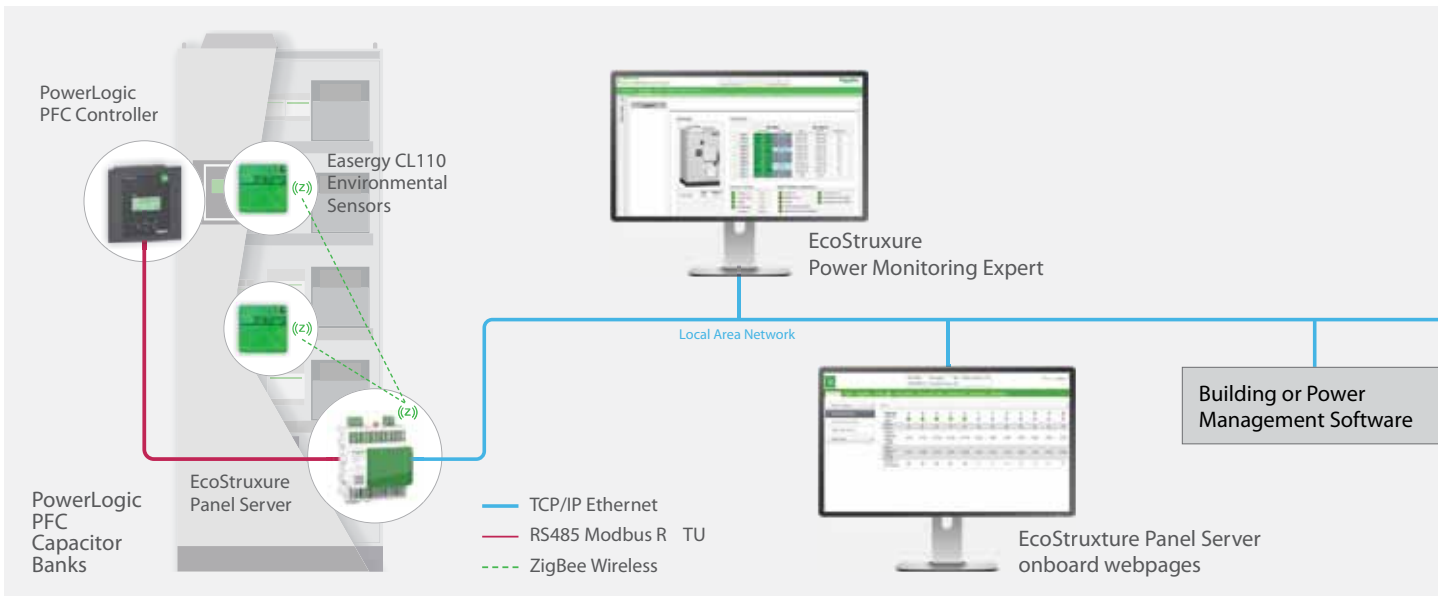
Remote power factor monitoring center

12 months
return on investment*

* Figures based on previous customer performance. Not a guarantee of performance in every case.

se.com/PowerLogicPFC

Gain operational intelligence with connected architectures



PowerLogic™ PFC Controller

- Intelligent capacitor bank controller manages reactive power levels
- Provides real-time measurements for voltage, current, power factor, power, THD and individual harmonics up to 19th harmonic
- Built-in temperature sensor with fan control
- Provides alarms for over/under voltage, low/high current, under/over compensation alarms, faulty step alarm with step number, individual step derating of capacitor indicator, total harmonic distortion alarm at 7% THDv



Smart environmental sensors (Optional Feature)

- Wireless environmental sensor measures surface temperature in contact (Tc) and humidity (RH)
- Two CL110, fixed in predefined locations in the Capacitor Bank, are paired with Zigbee-equipped PAS800 to communicate temperature and humidity values



Efficient gateway server (Optional Feature)

- Collects condition-monitoring data and alarms from PowerLogic™ PFC controller via Modbus RTU communications
- Collects enclosure temperature and humidity data from Easergy CL110 environmental sensors via ZigBee wireless communications
- Provides power information, key operational indicators, and alarms directly via onboard webpages and to remote software systems via Modbus TCP communications
- Fully supported by EcoStruxure Power Monitoring Expert (v9.0+) software

Features	Architecture 1 (Edge - basic)	Architecture 2 (Edge - advanced)	Architecture 3 (Apps & analytics)
Web page	Embedded EcoStruxure Panel Server pages	PME web pages	-
Customized web report	-	In PME for VPL and CL110	-
Dashboard and report	Predefined in EcoStruxure Panel Server for VPL and CL110	Predefined in PME	-
Events and alarms	Predefined in EcoStruxure Panel Server web pages	Predefined dashboards in PME	-
Advanced reporting	-	Predefined dashboards in PME	-
Temperature & safety monitoring	Predefined in EcoStruxure Panel Server web pages	Predefined dashboards in PME	-

Power Factor Correction Equipment



Reliable

- > Achieves Target set PF
- > Reduces demand kVA
- > Eliminates PF Penalty
- > Specify what exactly it means
- > Fuel savings in DG

Safe

- > Burst proof capacitors
- > Detuned Reactors - No Harmonic Amplification
- > Minimum switching transient

Embedded Intelligence

- > Auto start, Auto detection, Auto polarity check, Auto c/k
- > Thermal intelligence
- > Harmonic intelligence
- > Asset management and performance
- > PQ Disturbance detection (Optional)

Digitize

- > Flexible to move to connected world
- > Web page monitor facility through Schneider Gateway devices (Optional)
- > Seam less integration with PME, PSE

Quality of construction

- > Compliance to and which Indian Standards
- > Stringent quality control measures
- > Best Engineering practices
- > Best thermal design for heat dissipation



ISO 9001 ISO 14001
ISO 50001



IGBC Green building
Gold medal



IEC



RoHS
ROHS



REACH

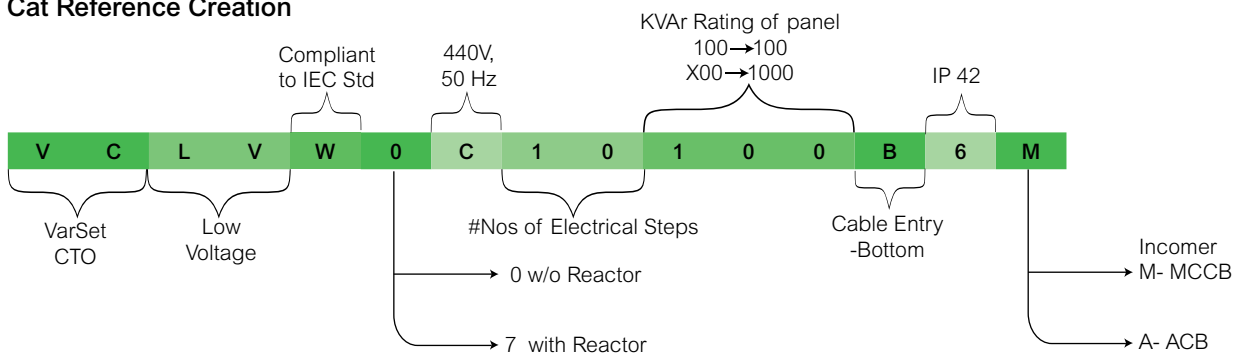
Power Factor Correction Equipment



VarSet LV APFC panels without reactors

Panel Ratings	Step Configuration in kVAR	Cat Reference No.	Dimensions (in mm) W x D x H	Unit MRP [₹]
APFC Ratings (kVAR)				
100	3x10kVAR + 1x20kVAR + 1x50kVAR	VCLVW0C10100B6M	800 x 800 x 2325	On Request
125	2x12.5kVAR + 2x25kVAR + 1x50kVAR	VCLVW0C10125B6M	800 x 800 x 2325	On Request
150	2x12.5kVAR + 1x25kVAR + 2x50kVAR	VCLVW0C12150B6M	800 x 800 x 2325	On Request
200	2x12.5kVAR + 1x25kVAR + 3x50kVAR	VCLVW0C16200B6M	800 x 800 x 2325	On Request
250	2x12.5kVAR + 1x25kVAR + 4x50kVAR	VCLVW0C20250B6M	1200 x 800 x 2325	On Request
300	2x12.5kVAR + 1x25kVAR + 5x50kVAR	VCLVW0C24300B6M	1200 x 800 x 2325	On Request
350	2x12.5kVAR + 1x25kVAR + 6x50kVAR	VCLVW0C28350B6M	1200 x 800 x 2325	On Request
400	2x25kVAR + 3x50kVAR + 2x100kVAR	VCLVW0C16400B6M	1200 x 800 x 2325	On Request
500	2x25kVAR + 3x50kVAR + 3x100kVAR	VCLVW0C20500B6M	1200 x 800 x 2325	On Request
APFC Ratings (kVAR)				
500	2x25kVAR + 3x50kVAR + 3x100kVAR	VCLVW0C20500B6A	1200 x 800 x 2325	On Request
600	2x25kVAR + 3x50kVAR + 4x100kVAR	VCLVW0C24600B6A	1400 x 800 x 2325	On Request
700	2x25kVAR + 3x50kVAR + 5x100kVAR	VCLVW0C28700B6A	1400 x 800 x 2325	On Request
750	2x25kVAR + 4x50kVAR + 5x100kVAR	VCLVW0C30750B6A	1400 x 800 x 2325	On Request
800	2x25kVAR + 3x50kVAR + 6x100kVAR	VCLVW0C32800B6A	2000 x 800 x 2325	On Request
900	2x25kVAR + 3x50kVAR + 7x100kVAR	VCLVW0C36900B6A	2000 x 800 x 2325	On Request
1000	2x25kVAR + 1x50kVAR + 9x100kVAR	VCLVW0C40X00B6A	2000 x 800 x 2325	On Request

Cat Reference Creation



Product offer:

VarSet LV APFC panels with 7% / without Reactors

Ratings = 100kVAR to 1000kVAR
 Capacitor = MPP HD Can 440/480V, with 3ph simultaneous PSD

General Features:

System voltage = 440V
 Frequency = 50Hz
 Phase = 3
 Design = Modular
 IP = IP42
 Switching = Random

Incomer:

Upto 350kVAR = MCCB, 36kA
 From 350 to 500kVAR = MCCB, 50kA
 From 500 to 1000kVAR = ACB, 65kA
 Step protection = MCCBs, 36kA

Switching:

Capacitor duty
 Contactor - without Reactor design
 Power Contactors - with Reactor design

Power Factor Correction Equipment



Branch Protection: MCCB

- > **Branch Protection: MCCB**
 - Reduces thermal stresses on the electrical distribution network
 - Unique electrical fault trip indication (SDE)



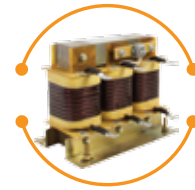
Incomer: ACB/MCCB

- > **Incomer: ACB/MCCB**
 - No derating upto 55°C as per IEC-60947 Part 1 & 2
 - Fastest Breaking time <25ms



Capacitor: LV Shunt MPP FILM

- > **Capacitor: LV MPP film**
 - IEC 60831-1,2 Compliant
 - Unique Pressure sensitive disconnecter
 - Class D (+55degC)



Detuned Reactor: Cu Wound

- > **Detuned Reactor: Cu Wound**
 - Compliant to IEC 60076-6
 - Class H insulation (180 °C)
 - Inbuilt thermal protection



APFC Controller: Varlogic RT/VarPlus Logic VPL

- > **APFC Controller: Varlogic RT/VarPlus Logic VPL**
 - Most Intelligent PFC relay in market with 6, 8, 12 steps
 - Ready to communicate with dedicated RS485 port



VarSet LV APFC panels with 7% reactors

Panel Ratings	Step Configuration in kVAR	Cat Reference No.	Dimensions (in mm)W x D x H	Unit MRP [₹]
APFC Ratings (kVAR)				
100	3x10kVAR + 1x20kVAR + 1x50kVAR	VCLVW7C10100B6M	1200 x 800 x 2325	On Request
125	2x12.5kVAR + 2x25kVAR + 1x50kVAR	VCLVW7C10125B6M	1200 x 800 x 2325	On Request
150	2x12.5kVAR + 1x25kVAR + 2x50kVAR	VCLVW7C12150B6M	1200 x 800 x 2325	On Request
200	2x12.5kVAR + 1x25kVAR + 3x50kVAR	VCLVW7C16200B6M	1200 x 800 x 2325	On Request
250	2x12.5kVAR + 1x25kVAR + 4x50kVAR	VCLVW7C20250B6M	1800 x 800 x 2325	On Request
300	2x12.5kVAR + 1x25kVAR + 5x50kVAR	VCLVW7C24300B6M	1800 x 800 x 2325	On Request
350	2x12.5kVAR + 1x25kVAR + 6x50kVAR	VCLVW7C28350B6M	1800 x 800 x 2325	On Request
400	2x25kVAR + 3x50kVAR + 2x100kVAR	VCLVW7C16400B6M	1800 x 800 x 2325	On Request
500	2x25kVAR + 3x50kVAR + 3x100kVAR	VCLVW7C20500B6M	1800 x 800 x 2325	On Request
APFC Ratings (kVAR)				
500	2x25kVAR + 3x50kVAR + 3x100kVAR	VCLVW7C20500B6A	1800 x 800 x 2325	On Request
600	2x25kVAR + 3x50kVAR + 4x100kVAR	VCLVW7C24600B6A	2200 x 800 x 2325	On Request
700	2x25kVAR + 3x50kVAR + 5x100kVAR	VCLVW7C28700B6A	2200 x 800 x 2325	On Request
750	2x25kVAR + 4x50kVAR + 5x100kVAR	VCLVW7C30750B6A	2200 x 800 x 2325	On Request
800	2x25kVAR + 3x50kVAR + 6x100kVAR	VCLVW7C32800B6A	3200 x 800 x 2325	On Request
900	2x25kVAR + 3x50kVAR + 7x100kVAR	VCLVW7C36900B6A	3200 x 800 x 2325	On Request
1000	2x25kVAR + 1x50kVAR + 9x100kVAR	VCLVW7C40X00B6A	3200 x 800 x 2325	On Request

Note:
VarSet prices will be On Request

Please contact Customer Care Center for Stockable and Non stockable status of references.

W.E.F. January 15th, 2026



Schneider Electric India Pvt. Ltd.

Corporate Office: 15th Floor, DT-4 Downtown, DLF Phase 3, Sector 25A, Gurugram, Haryana - 122002

Ahmedabad

Schneider Electric India (P) Ltd.
1506-1507, 15th Floor Shapth-5
Opp.Karnavati Club, SG Highway,
Ahmedabad, Gujarat - 380015
Tel.: 079-66826701

Coimbatore

Schneider Electric India Pvt. Ltd.
Mikro Grafeo Services Pvt Ltd.,
Elysium Tower, #21, A.TT
Colony, Near Honda Office,
Coimbatore, Tamil Nadu - 641018

Lucknow

Schneider Electric India (P) Ltd.
Summit, Plot No. TCG 3/3
6th Floor, 604A/B/C, Vibhuti Khand
Gomti Nagar, Lucknow
Uttar Pradesh - 226010
Tel.: 0522-3500334

Nashik

Schneider Electric India (P) Ltd.
401, 4th Floor, Rishi Raj Towers
Jehan Circle, Gangapur Road
Nashik - 422013
Tel.: 0253-2344333

Bengaluru

Schneider Electric India (P) Ltd.
No. 3/1, JP Techno Park
Mezzanine Floor, Millers Tank Bund
Road, Vasanth Nagar
Bengaluru - 560052
Tel.: 080-71481351

Hyderabad

Schneider Electric Pvt. Ltd.
4B-4th Floor, Gumidelli Towers,
Prakash Nagar, Begumpet,
Hyderabad - 500016

Ludhiana

Schneider Electric India (P) Ltd.
SCO 23, 2nd Floor,
Chandigarh Road, Sector 32
Ludhiana, Punjab -141010
Tel.: 0161- 5203011

New Delhi

Schneider Electric India (P) Ltd.
C-56, Mayapuri Industrial Area, Phase-2
New Delhi - 110064
Tel.: 011-61317400

Bhubaneswar

Schneider Electric India (P) Ltd.
Workloop Co-Working in the property
Office No. 316, Esplanade One Mall
Rasulgarh, Bhubaneswar - 751010

Indore

Schneider Electric India (P) Ltd.
219, Dhan Trident Building
Vijay Nagar, A.B.Road
Indore - 452001

Mohali

Schneider Electric India (P) Ltd.
2nd Floor, Tower-A
Bestech Business Tower
Mega Information & Technology Park
Industrial Plot No.1, Phase IX
(Expansion), Mohali - 160059
Tel.: 0172-7198200

Pune

Schneider Electric India (P) Ltd.
Amar Caliber, CTS No 911, BMCC Road,
OFF F.C. Road, Deccan Gymkhana,
Shivaji Nagar, Pune - 411007
Tel.: 020-67492500

Chennai

Schneider Electric India (P) Ltd.
No: 29, 2nd Floor,
Bannari Amman Towers, B-Block
Dr. Radhakrishnan Road, Mylapore
Chennai - 600 004
Tel.:044-71912000

Jaipur

Schneider Electric India (P) Ltd.
Jaipur Business Centre 309
3rd Floor, Sangam Tower 190
Church Road, Jaipur - 302001
Tel.: 0141-2374810

Mumbai

Schneider Electric India Pvt. Ltd.
L&T Business Park, Tower B,
7th Floor, TC-II, Gate No.5,
Saki Vihar Road, Powai,
Mumbai - 400072

Vadodara

Schneider Electric India (P) Ltd.
Notus IT Park, 10th Floor, Block-D
Sarabhai Campus, Vadiwadi
Vadodara, Gujarat - 390017

Cochin

Schneider Electric India (P) Ltd.
Alapatt Properties Private Limited
(Trade Name: Centre A)
Main Door Number: 66/4971
(Old Door Number: 40/6584-H)
7th Floor Alapatt Heritage Building
MG Road Kochi - 682035

Kolkata

Schneider Electric (I) Pvt. Ltd.
BN3, Salt Lake, Sector V,
Kolkata - 700091

Nagpur

Schneider Electric India (P) Ltd.
6, Vasant Vihar Complex
W.H.C Road, Shankar Nagar
Nagpur - 440010
Tel.: 0712-2558581

Vishakhapatnam

Schneider Electric India (P) Ltd.
D.N.10-1-43, 1st Floor
Ratnam's Business Centre,
Siripuram Fort, C.B.M.Compound
Visakhapatnam - 530016
Tel.: 0891-6675500

Customer Care Centre

Monday-Saturday, 9 a.m. to 8 p.m.

Toll-free numbers: 1800 419 4272, 1800 103 0011

Email: customercare.in@schneider-electric.com

For more information, visit our website at: www.se.com/in

- All Prices are in Indian Rupees
- Prices are subject to change without prior notice
- Product evolution is a continuous process and Schneider Electric reserves the right to modify/withdraw any product at any time without prior notice
- Prices charged will be as prevailing on the date of dispatch
- Invoice Amount = (MRP – less Applicable discount) + Applicable GST %
- Tax incidence on invoices is basis applicable GST rates
- Invoice amount not to exceed MRP
- Product pictures shown are for illustration purpose only; actual product may vary
- Kindly refer product datasheet for detailed specification

Distributor